

**ORDINANCE NO. 21-002**

**ADDENDUM TO THE SUBDIVISION REGULATIONS OF OWENS CROSS ROADS ALABAMA  
ARTICLE IV. SECTION 4.8 UTILITES AND DRAINAGE - ADOPTED JUNE, 2008**

BE IT ORDAINED BY THE COUNCIL OF OWENS CROSS ROADS, ALABAMA AS FOLLOWS:

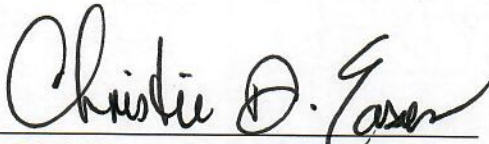
From henceforth, all new and/or modified buildings, be it residential or commercial, must install a separate cut-off valve for the sewer line - marked in green.

Sewer installations or modifications will not be approved by the official inspector(s) without the sewer cut-off valve properly installed.

ADOPTED THIS 24 DAY OF JANUARY 2021.

  
\_\_\_\_\_

Tony K. Craig, Mayor

  
\_\_\_\_\_

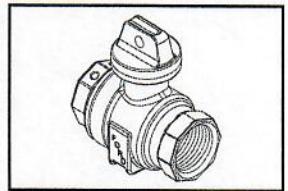
ATTEST:

Christie. D. Eason, Clerk



# SUBMITTAL INFORMATION

## Ball Valve Curb Stop - (B11-xxx-NL style)



### FEMALE IRON PIPE THREAD INLET BY FEMALE IRON PIPE THREAD OUTLET

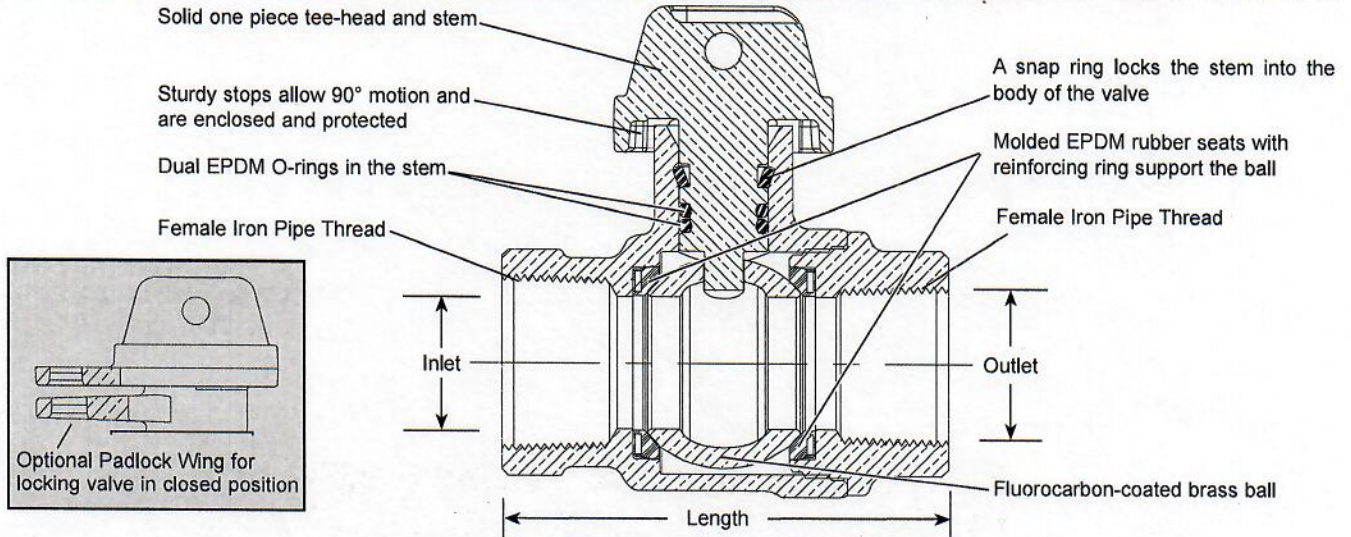


Image shown above is a B11-444-NL

VALVE SIZE	INLET SIZE	OUTLET SIZE	LENGTH	APPROX. WT. LBS	PART NUMBER	✓ SUBMITTED ITEM(S)
3/4"	3/4"	3/4"	3-1/64"	1.5	B11-333-NL	←
3/4"	3/4"	3/4"	3-21/64"	1.7	B11-333W-3-33-NL	
3/4"	1"	3/4"	3-17/64"	1.6	B11-343-NL	
3/4"	1"	1"	3-25/64"	1.6	B11-344-NL	
1"	1"	1"	3-7/16"	2.0	B11-444-NL	
1"	1-1/4"	1"	3-9/16"	1.9	B11-454-NL	
1"	1-1/4"	1-1/4"	3-25/32"	2.0	B11-455-NL	
1-1/4"	1-1/4"	1-1/4"	4-1/32"	4.2	B11-555-NL	
1-1/4"	1-1/2"	1-1/2"	4-11/32"	4.4	B11-566-NL	
1-1/2"	1-1/2"	1-1/2"	4-15/32"	4.8	B11-666-NL	
1-1/2"	2"	1-1/2"	4-23/32"	5.0	B11-676-NL	
1-1/2"	2"	2"	5"	8.0	B11-677-NL	
2"	2"	2"	5-1/4"	7.2	B11-777-NL	
2"	2"	2-1/2"	5-45/64"	7.6	B11-778-NL	
2"	2-1/2"	2-1/2"	6-1/4"	11.1	B11-788-NL	

### FEATURES

- All brass that comes in contact with potable water conforms to AWWA Standard C800 (ASTM B584, UNS C89833)
- The product has the letters "NL" cast into the main body for lead-free identification
- Certified to NSF/ANSI Standard 61 and NSF/ANSI Standard 372 where applicable
- Brass components that do not come in contact with potable water conform to AWWA Standard C800 (ASTM B62 and ASTM B584, UNS C83600, 85-5-5-5)
- Valve is non-directional and is watertight with flow in either direction
- Ends are integral or secured with adhesive to prevent unintentional disassembly
- Hole for attaching curb box rod or handle is provided in tee-head
- 300 PSI working pressure

**Optional Padlock Wing** for locking valve in closed position. Add "W" to part number. Example: B11-444W-NL

**Optional full 360° tee-head rotation.** Add "R" to part number. Example: B11-444R-NL

The Ford Meter Box Company considers the information in this submittal form to be correct at the time of publication. Item and option availability, including specifications, are subject to change without notice. Please verify that your product information is current.



**The Ford Meter Box Company, Inc.**  
 P.O. Box 443, Wabash, Indiana U.S.A. 46992-0443  
 Phone: 260-563-3171 / Fax: 800-826-3487  
 Overseas Fax: 260-563-0167  
 www.fordmeterbox.com

07/12/17

Submitted By:

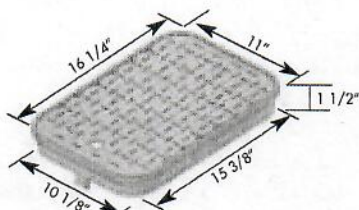
Tony Steel

## NDS D1200 Meter Box

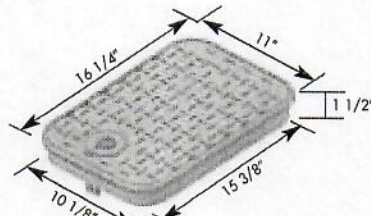
### NDS WATER METER BOXES AND COVERS

### Standard Commercial Grade

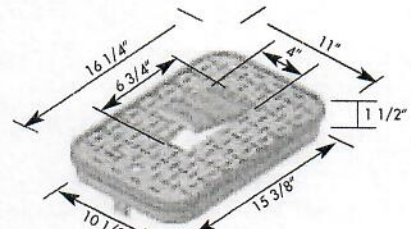
The NDS D1200 body shall be tapered and have a minimum wall thickness of .187". The body shall have a double wall at the top cover seat area with a minimum thickness of .187". The cover seat area shall have 30 structural support ribs on the underside of the seat, each with a minimum thickness of 3/16". The bottom of the body shall have a 1" flange and has the ability to be anchored to concrete. The D1200 cover shall have a minimum thickness of .250". NDS D1200 meter boxes and covers are injection molded of high density polyethylene material with a melt index between 10-12. Coloring and UV stabilizers are added, along with processing lubricants when needed. Manufactured according to AASHTO A-0.3 requirements.



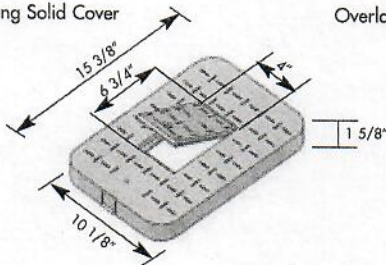
Overlapping Solid Cover



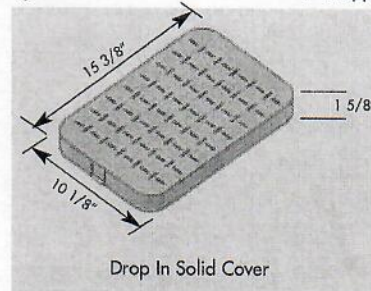
Overlapping Locking Cover



Overlapping Reader Cover

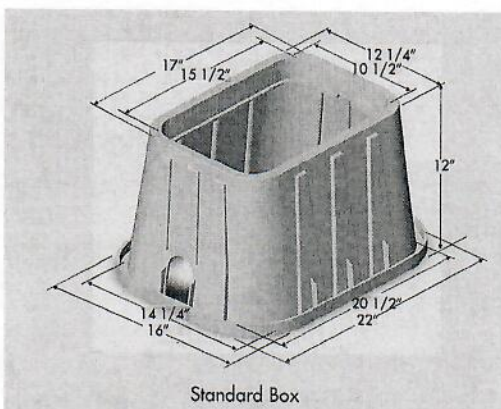


Drop In Reader Cover

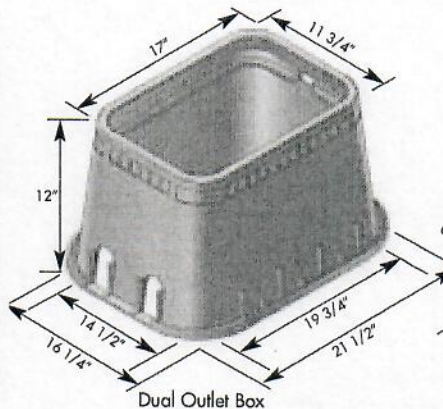


Drop In Solid Cover

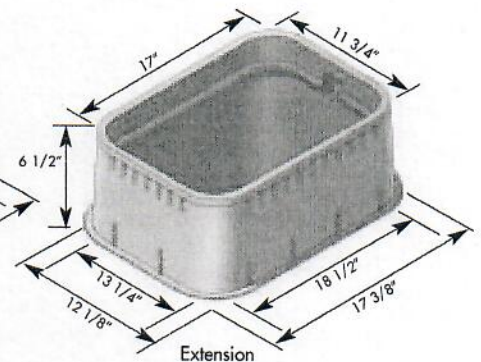
\* Sewer \*



Standard Box



Dual Outlet Box



Extension

PART NUMBER	WEIGHT	BOX DESCRIPTION	COVER DESCRIPTION	COVER TYPE	COLOR (BOX/COVER)	WEIGHT
<b>Drop In Box &amp; Cover</b>						
D1200-DISB		12"x17"x12" Standard Box	Drop-in Cover - Water Meter	Solid Plastic	Black/Black	9.00
D1200-DUDISB		12"x17"x12" Standard Dual	Box Drop-in Cover - Water Meter	Solid Plastic	Black/Black	9.00
D1200-DISBLU		12"x17"x12" Standard Box	Drop-in Cover - Water Meter	Solid Plastic	Black/Blue	9.00
D1200-DIRB		12"x17"x12" Standard Box	Drop-in Meter Reader Cover - Water Meter	Plastic w/ Plastic Reader	Black/Black	9.00
D1200-DUDIRB		12"x17"x12" Standard Dual Box	Drop-in Meter Reader Cover - Water Meter	Plastic w/ Plastic Reader	Black/Black	9.00
D1200-DIRB CET		12"x17"x12" Standard Box	Drop-in Meter Reader Cover - CESPT (1" x 1" letters)	Plastic w/ Plastic Reader	Black/Black	9.00
D1200-DIBLRD		12"x17"x12" Standard Box	Drop-in Meter Reader Cover - Water Meter	Plastic w/ Plastic Reader	Black/Blue	9.00
D1200-DIRG		12"x17"x12" Standard Box	Drop-in Meter Reader Cover - <del>Water Meter</del> * SEWER *	Plastic w/ Plastic Reader	Black/Green	9.00
D1200-DICIR		12"x17"x12" Standard Box	Drop-in Meter Reader Cover - Water Meter	Plastic w/ Cast Iron Reader	Black/Black	10.20
D1200-DUDICIR		12"x17"x12" Standard Dual Box	Drop-in Meter Reader Cover - Water Meter	Plastic w/ Cast Iron Reader	Black/Black	10.20
D1200P-DICIRP		12"x17"x12" Standard Box	Drop-in Meter Reader Cover - Reclaimed	Plastic w/ Cast Iron Reader	Purple/Purple	10.20
<b>Overlapping Box &amp; Cover</b>						
D1200-OLSB		12"x17"x12" Standard Box	Overlapping Cover - Water Meter	Solid Plastic	Black/Black	9.20
D1200-DUOLSB		12"x17"x12" Standard Dual Box	Overlapping Cover - Water	Meter Solid Plastic	Black/Black	9.20
D1200-OLLOCB		12"x17"x12" Standard Box	Overlapping Locking Cover - Water Meter	Solid Plastic	Black/Black	9.40
D1200-CI		12"x17"x12" Standard Box	Overlapping Cast Iron Cover - Water Meter	Solid Cast Iron	Black/Black	19.00
D1200-OLRB		12"x17"x12" Standard Box	Overlapping Meter Reader Cover - Water Meter	Plastic w/ Plastic Reader	Black/Black	9.20
D1200-DUOLRB		12"x17"x12" Standard Dual Box	Overlapping Meter Reader Cover - Water Meter	Plastic w/ Plastic Reader	Black/Black	9.20
D1200-OLRBLU		12"x17"x12" Standard Box	Overlapping Meter Reader Cover - Water Meter	Plastic w/ Plastic Reader	Black/Blue	9.20
D1200-OLCIR		12"x17"x12" Standard Box	Overlapping Meter Reader Cover - Water Meter	Plastic w/ Cast Iron Reader	Black/Black	10.60
D1200-CICIR		12"x17"x12" Standard Box	Overlapping Cast Iron Meter Reader Cover - Water Meter	Cast Iron w/ Cast Iron Reader	Black/Black	10.28
<b>Drop In Cover Only</b>						
D1200-DISBL			12"x17" Standard Drop-in Cover - Water Meter	Solid Plastic	Black	2.20
D1200-DISBLUL			12"x17" Standard Drop-in Cover - Water Meter	Solid Plastic	Blue	2.20
D1200-DIRBL			12"x17" Standard Drop-in Meter Reader Cover - Water Meter	Plastic w/ Plastic Reader	Black	2.20
D1200-DIBLRDL			12"x17" Standard Drop-in Meter Reader Cover - Water Meter	Plastic w/ Plastic Reader	Blue	2.20
D1200-DIRP LID			12"x17" Standard Drop-in Meter Reader Cover - Reclaimed	Plastic w/ Plastic Reader	Purple	2.20
D1200-DICIRLID			12"x17" Standard Drop-in Meter Reader Cover - Water Meter	Plastic w/ Cast Iron Reader	Black	3.40
D1200-DICIRPLD			12"x17" Standard Drop-in Meter Reader Cover - Reclaimed	Plastic w/ Cast Iron Reader	Purple	3.40
<b>Overlapping Cover Only</b>						
D1200-OLSB			12"x17" Standard Overlapping Cover - Water Meter Solid	Plastic	Black	2.40
D1200-OLLOCBLD			12"x17" Standard Overlapping Locking Cover - Water Meter	Solid Plastic	Black	2.60
D1200-OLBLL			12"x17" Standard Overlapping Cover - Water Meter	Solid Plastic	Blue	2.40
D1200-CIL			12"x17" Standard Cast Iron Cover - Water Meter	Solid Cast Iron	Black	12.20
D1200-OLSPL			12"x17" Standard Overlapping Cover - Reclaimed	Solid Plastic	Purple	2.40
D1200-OLRBL			12"x17" Standard Overlapping Meter Reader Cover - Water Meter	Plastic w/ Plastic Reader	Black	2.40
D1200-OLRBLUL			12"x17" Standard Overlapping Meter Reader Cover - Water Meter	Plastic w/ Plastic Reader	Blue	2.40
D1200-OLCIR LD			12"x17" Standard Overlapping Meter Reader Cover - Water Meter	Plastic w/ Cast Iron Reader	Black	3.80
D1200-CICIR LD			12"x17" Standard Cast Iron Meter Reader Cover - Water Meter	Cast Iron w/ Cast Iron Reader	Black 1	5.40
<b>Box Only</b>						
D1200-B/O		12"x17"x12" Standard Box			Black	6.80
D1200-BDB/O		12"x17"x12" Standard Bolt Down Box			Black	7.00
D1200-DUB/O		12"x17"x12" Standard Dual Box			Black	6.80
D600E-EXT		12"x17"x6" Extension Only			Black	4.20

Call for additional options and availability

PROPERTIES OF UNFOAMED RESIN		
	ASTM Test Method	HDPE
Tensile Strength, Yield	ASTM D 638	3300 psi
Density	ASTM D 792	0.95 gm/cc
Density Test	ASTM D 1505	0.95 gm/cc
Durometer, Shore D	ASTM D 2240	66
Flexural Modulus	ASTM D 790	191,000 psi
Notched Izod Impact Strength @ 23 degrees C.	ASTM D 256	1.43 ft. lbs./in.
Notched Izod Impact Strength @ 18 degrees C.	ASTM D 256	6.8 ft. lbs./in.
Heat Deflection Temperature @ 66 PSI, Degrees F.	ASTM D 648	209 degrees F.

SHIPPING CONFIGURATION			
	Box	Extension	Lid
Pallet	72	42	216
Pieces per Stack	12	7	21
Stack per Pallet	6	6	10
Pallet Dimensions	42"x48"x48"	42"x42"x48"	42"x42"x42"



NDS Technical Services  
 851 N. Harvard Ave, Lindsay, CA 93247  
 Phone: (888) 825-4716 • (559) 562-9888  
 Fax: (800) 726-1998 • (559) 562-4488  
 TechService@ndspro.com  
 www.ndspro.com